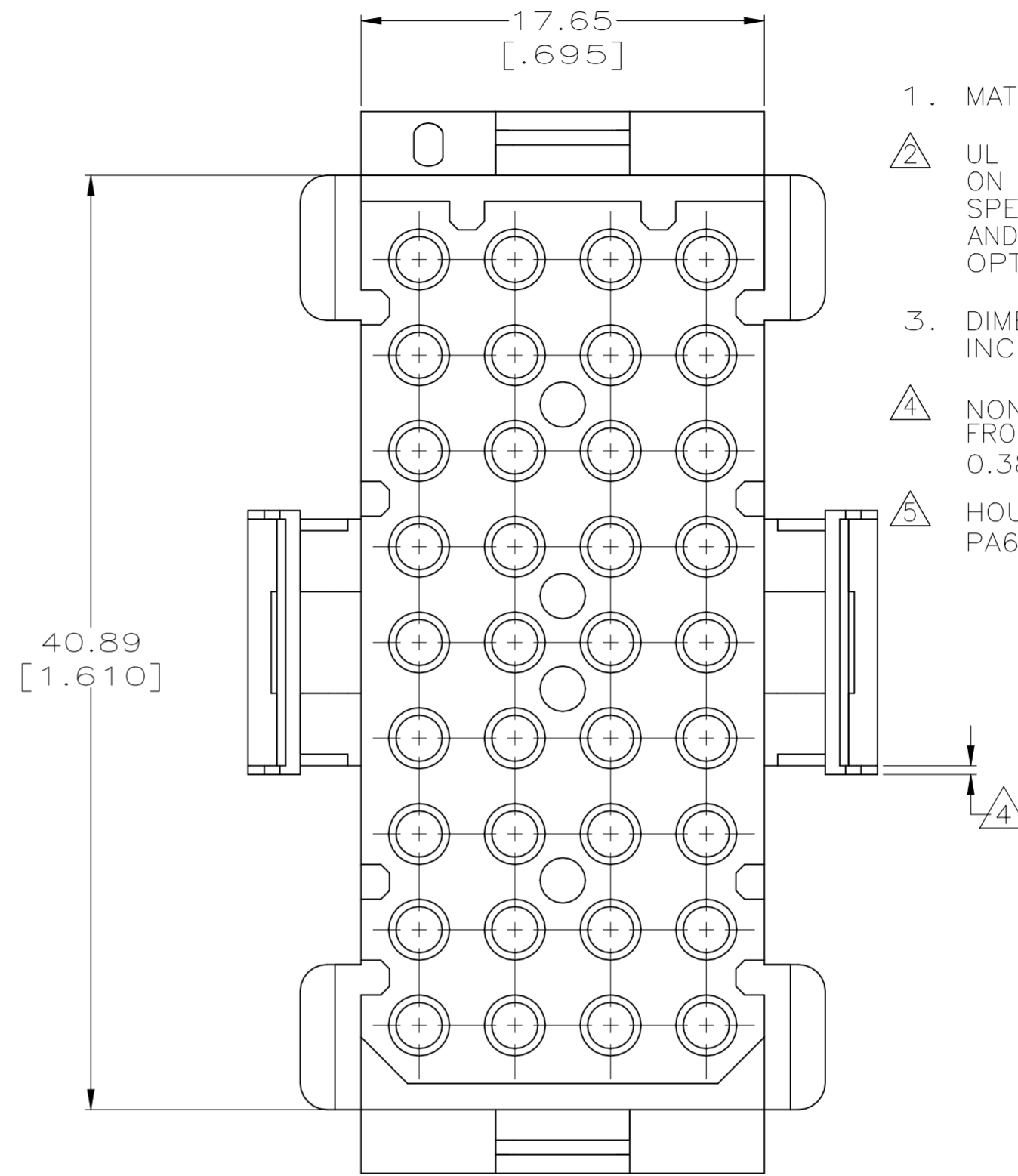
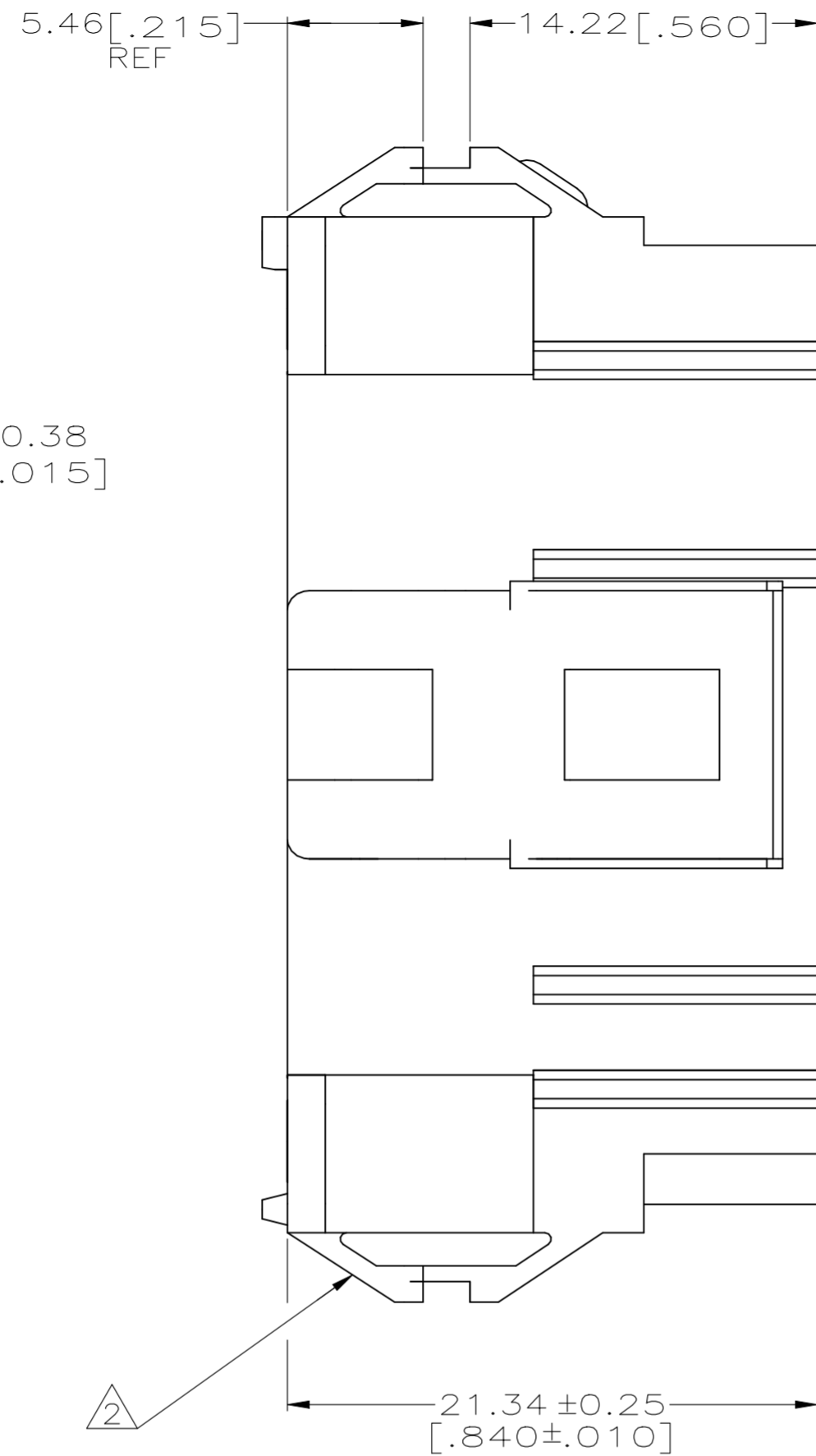
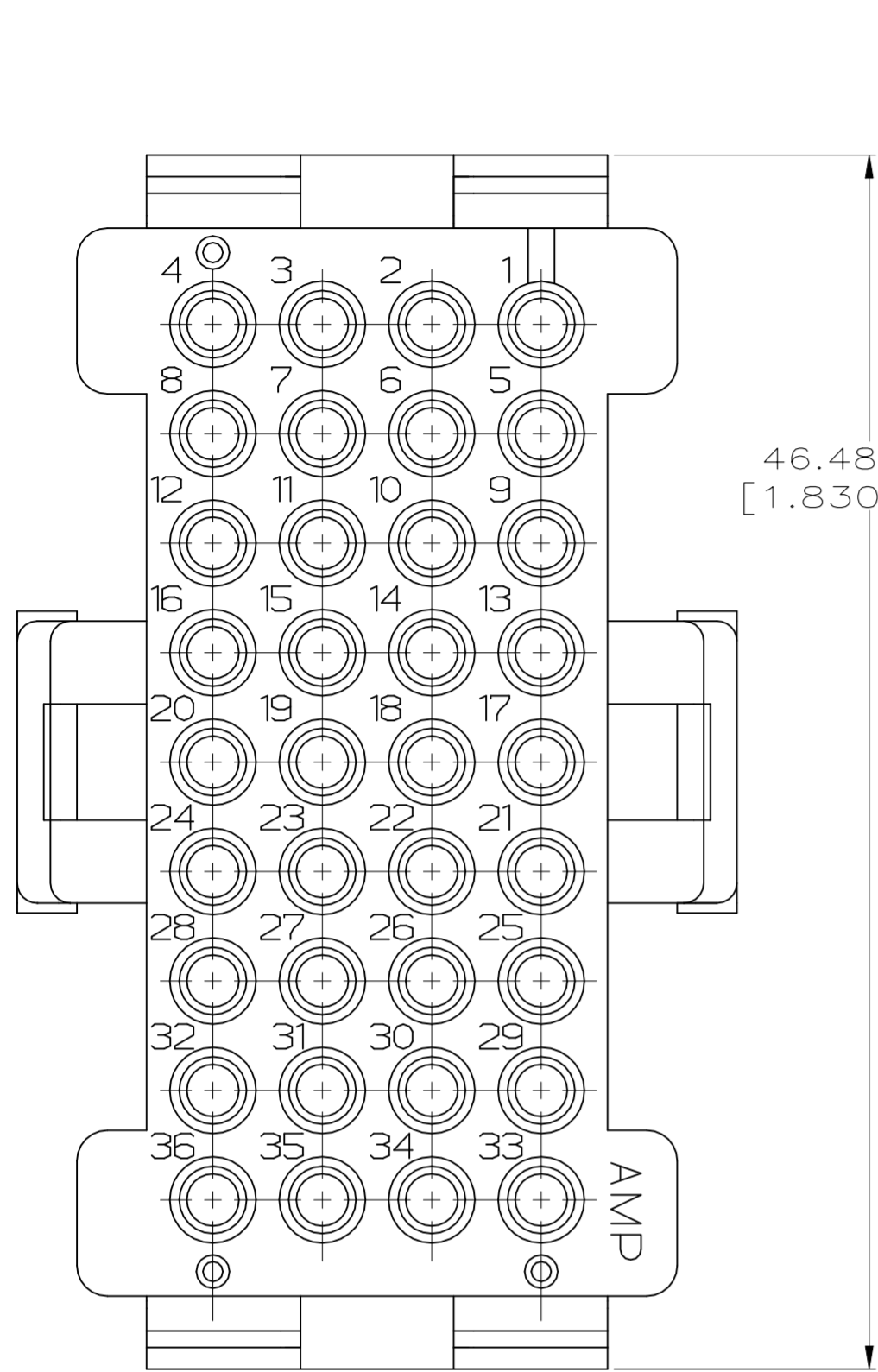
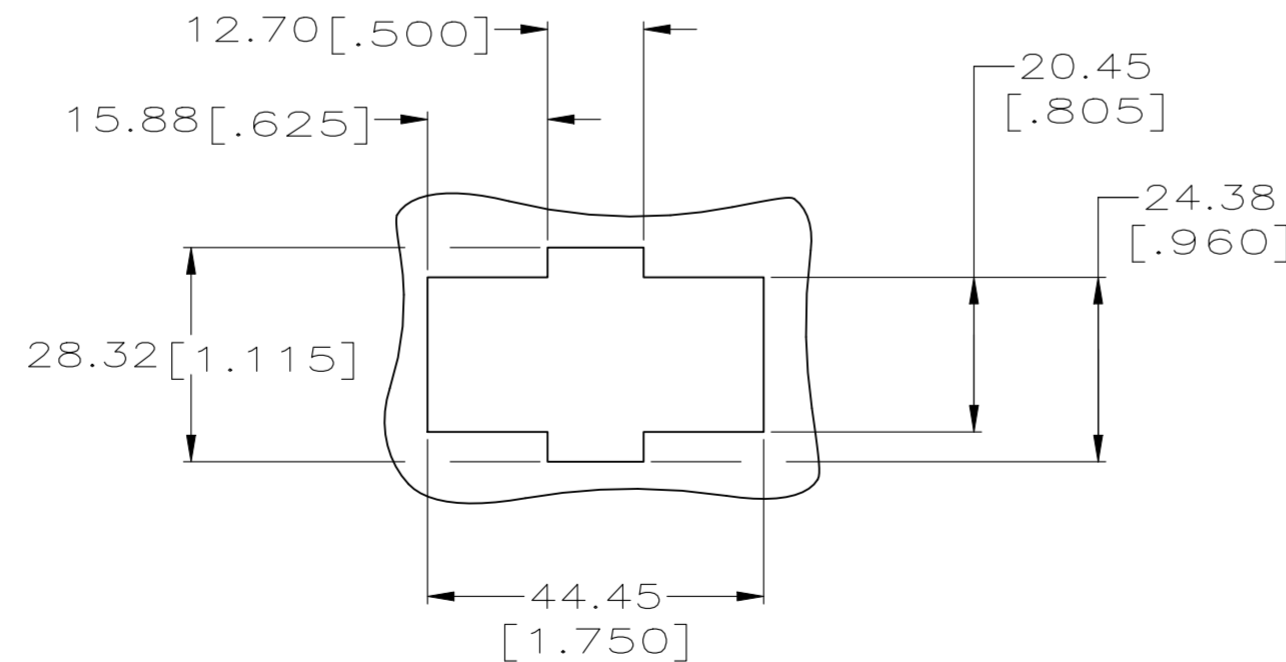
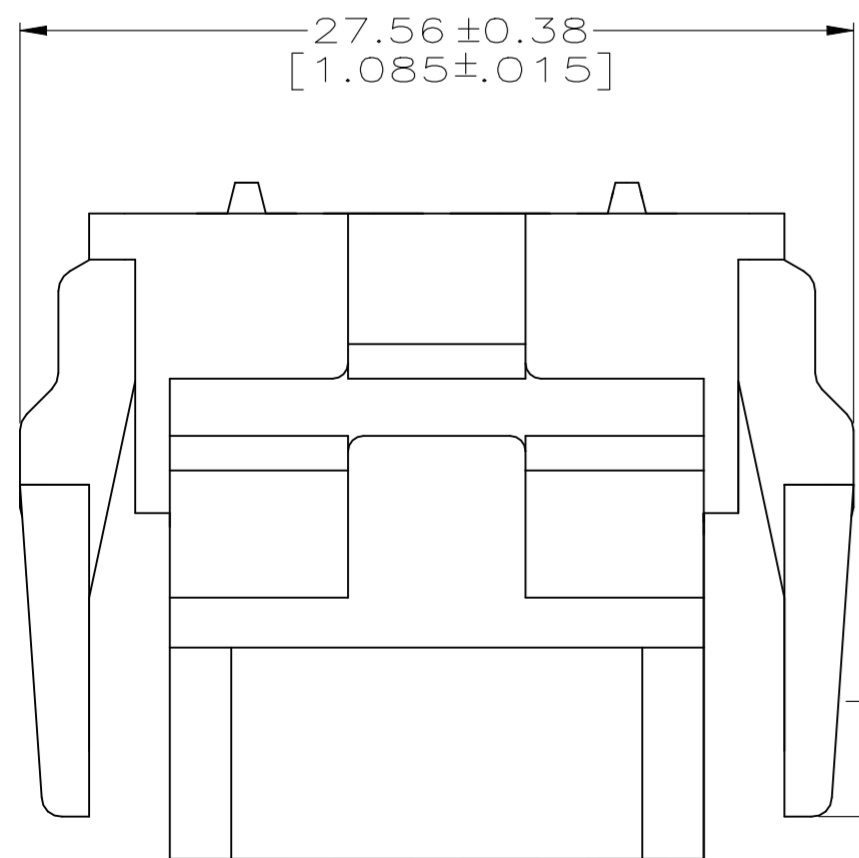


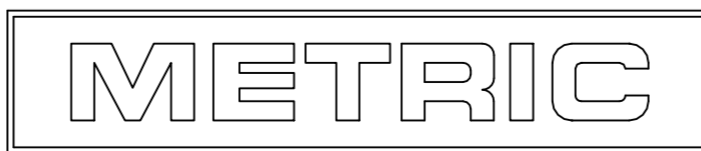
REVISIONS					
P	LTR	DESCRIPTION	DATE	DWN	APVD
F		REVISED PER ECO-21-006900	13DEC21	RK	MZ



- MATES WITH HOUSING 640516.
- UL LOGO AND CSA LOGO TO APPEAR ON EITHER LATCH SURFACE PER AMP SPEC 202-20, I.D. NO. 1-18838-3 AND 1-18839-3. FROST BACKGROUND OPTIONAL.
- DIMENSIONS IN BRACKETS ARE IN INCHES.
- NON-FILL PERMITTED UP TO 3.8[.15] FROM EDGE OF LATCH ARM ON THE 0.38[.015] THICK FLANGE, 4 PLC.
- HOUSING MATERIAL: PA66, BLACK, UL 94 V-0 RATED



RECOMMENDED CUT OUT FOR 1.73[.068] MAX THICK PANEL SCALE 1:1



1-640526-0  
PART NUMBER

THIS DRAWING IS A CONTROLLED DOCUMENT.		DWN R. VESTAL 12-01-97				
DIMENSIONS: mm [INCHES]		CHK R. SWING 12-01-97				
TOLERANCES UNLESS OTHERWISE SPECIFIED:		APVD A. BEDDICK 12-01-97	NAME HOUSING, PLUG MRII 36 POSITION			
0 PLC ± -		PRODUCT SPEC	SIZE	CAGE CODE	DRAWING NO	RESTRICTED TO
1 PLC ± -		APPLICATION SPEC	A2	00779	C-640526	-
2 PLC ± 0.13[.005]		WEIGHT	SCALE 4:1		SHEET 1 OF 1	REV F
3 PLC ± -		MATERIAL	CUSTOMER DRAWING			
4 PLC ± -		FINISH				
ANGLES ± 0°30'						
5						